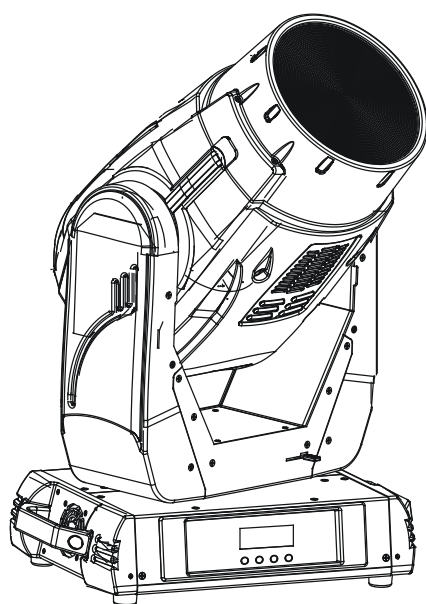

ROBE

Robin 300 Beam Classic



 **ROBIN**[®]
Innovative Technology

USER MANUAL

ROBE[®] Lighting s.r.o. • Czech republic • www.robe.cz

Version1.7

Robin 300 Beam Classic

Table of contents

1. Safety instructions	3
2. Operating determination	4
3. Fixture exterior view	5
4. Installation	6
4.1 Connection to the mains	6
4.2 Changing the power supply setting	6
4.3 Installing the lamp	7
4.3 Lamp adjustment	7
4.4 Replacing the colour filters and gobos	8
4.5 Rigging the fixture	9
4.6 DMX-512 connection	11
4.7 Stand-alone operation	12
5. Remotely controllable functions	13
6. Control menu map	14
7. Control menu	16
7.1 Fixture Address	16
7.2 Fixture informations	16
7.3 Personality	17
7.4 Lamp On/Off	18
7.5 Manual mode	18
7.6 Test sequences	19
7.7 Stand-alone setting	19
7.8 Reset functions	19
7.9 Special functions	20
8. Power down mode	20
9. RDM	21
10. Error and information messages	21
11. Technical Specifications	23
12. Maintenance and cleaning	25
13. ChangeLog	25

CAUTION!
Keep this device away from rain and moisture!
Unplug mains lead before opening the housing!

**FOR YOUR OWN SAFETY, PLEASE READ THIS USER MANUAL CAREFULLY
BEFORE YOU INITIAL START - UP!**

1. Safety instructions

Every person involved with installation and maintenance of this device have to:

- be qualified
- follow the instructions of this manual

CAUTION!
Be careful with your operations.
With a high voltage you can suffer
a dangerous electric shock when touching the wires!

This device has left our premises in absolutely perfect condition. In order to maintain this condition and to ensure a safe operation, it is absolutely necessary for the user to follow the safety instructions and warning notes written in this manual.

Important:

The manufacturer will not accept liability for any resulting damages caused by the non-observance of this manual or any unauthorized modification to the device.

Please consider that damages caused by manual modifications to the device are not subject to warranty.

Never let the power-cord come into contact with other cables! Handle the power cord and all connections with the mains with particular caution!

Make sure that the available voltage is not higher than stated on the rear panel.

Always plug in the power plug least. Make sure that the power-switch is set to off-position before you connect the device to the mains. The power plug has to be accessible after installing the device.

Make sure that the power-cord is never crimped or damaged by sharp edges. Check the device and the power-cord from time to time.

Always disconnect from the mains, when the device is not in use or before cleaning it. Only handle the power-cord by the plug. Never pull out the plug by tugging the power cord.

This device falls under protection class I. Therefore it is essential to connect the yellow/green conductor to earth.

The electric connection, repairs and servicing must be carried out by a qualified employee. Do not connect this device to a dimmer pack.

Do not switch the fixture on and off in short intervals as this would reduce the lamp's life.

During the initial start-up some smoke or smell may arise. This is a normal process and does not necessarily mean that the device is defective.

Do not touch the device's housing bare hands during its operation (housing becomes hot)! For replacement use lamps and fuses of same type and rating only.

CAUTION ! EYE DAMAGES !
Avoid looking directly into the light source
(meant especially for epileptics) !

2. Operating determination

This device is a moving head for creating decorative effects and was designed for indoor use only.

If the device has been exposed to drastic temperature fluctuation (e.g. after transportation), do not switch it on immediately. The arising condensation water might damage your device. Leave the device switched off until it has reached room temperature.

Never run the device without lamp!

Do not shake the device. Avoid brute force when installing or operating the device.

Never lift the fixture by holding it at the projector-head, as the mechanics may be damaged. Always hold the fixture at the transport handles.

When choosing the installation-spot, please make sure that the device is not exposed to extreme heat, moisture or dust. There should not be any cables lying around. You endanger your own and the safety of others!

The minimum distance between light output and the illuminated surface must be more than 5 meters.

Make sure that the area below the installation place is blocked when rigging, derigging or servicing the fixture.

Always fix the fixture with an appropriate safety rope. Fix the safety rope at the correct holes only.

Only operate the fixture after having checked that the housing is firmly closed and all screws are tightly fastened.

The lamp must never be ignited if the objective-lens or any housing-cover is open, as discharge lamps may explode and emit a high ultraviolet radiation, which may cause burns.

The maximum ambient temperature 45°C must never be exceeded.

CAUTION!
The lens has to be replaced when it is obviously damaged, so that its function is impaired, e. g. due to cracks or deep scratches!

Operate the device only after having familiarized with its functions. Do not permit operation by persons not qualified for operating the device. Most damages are the result of unprofessional operation!

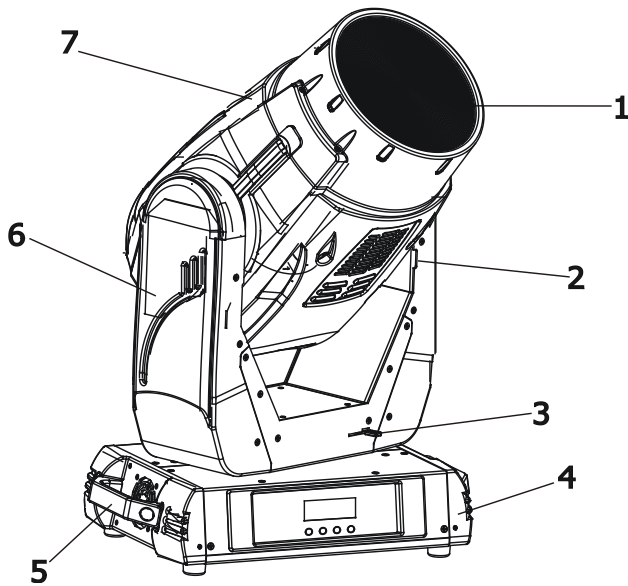
CAUTION!
The lamp has to be replaced when it is damaged or deformed due to the heat!

Please use the original packaging if the device is to be transported.

Please consider that unauthorized modifications on the device are forbidden due to safety reasons!

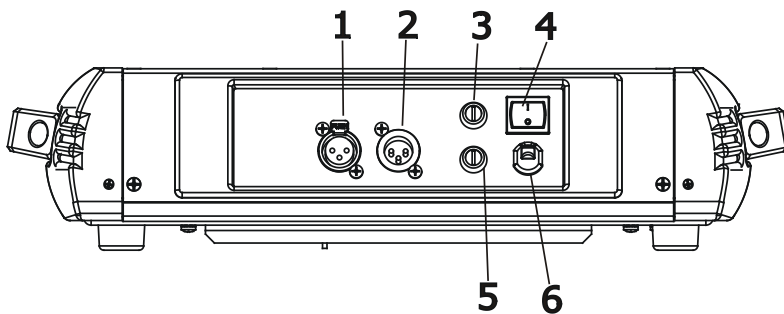
If this device will be operated in any way different to the one described in this manual, the product may suffer damages and the guarantee becomes void. Furthermore, any other operation may lead to dangers like short-circuit, burns, electric shock, burns due to ultraviolet radiation, lamp explosion, crash etc.

3. Fixture exterior view



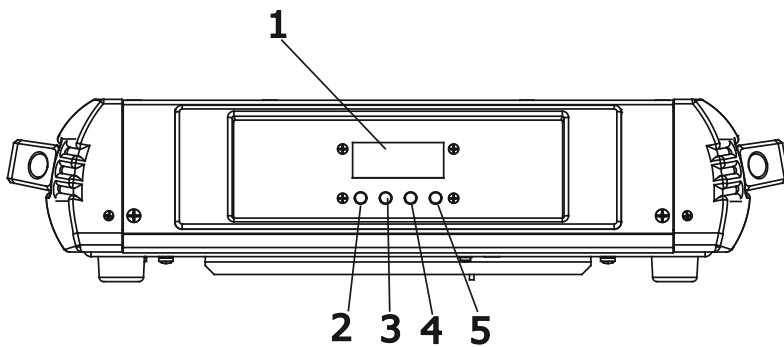
- 1 - Front lens
- 2 - Tilt lock
- 3 - Pan lock
- 4 - Base
- 5 - Handle
- 6 - Arm
- 7 - Moving head

The head should be locked for transportation- the tilt lock latch (2) and the pan lock latch (3) have to be in the locked positions. To unlock the head, move these latches to unlock positions before operating the fixture.



Rear panel of the base:

- 1 - 3-pin DMX output
- 2 - 3-pin DMX input
- 3 - Fuse holder-neutral
- 4 - Power switch
- 5 - Fuse holder-live
- 6 - Power cord



Front panel of the base:

- 1 - 4-digit LED display
- 2 - ESCAPE button
- 3 - ENTER button
- 4 - UP button
- 5 - DOWN button

4. Installation



Fixtures must be installed by a Qualified electrician in accordance with all national and local electrical and construction codes and regulation.

4.1 Connection to the mains

For protection from electric shock, the fixture must be earthed!

Install a suitable plug on the power cord, note that the cores in the power cord are coloured according to the following table. The earth has to be connected!

If you have any doubts about proper installation, consult a qualified electrician.

Core (EU)	Core (US)	Connection	Plug Terminal Marking
Brown	Black	Live	L
Light blue	White	Neutral	N
Yellow/Green	Green	Earth	

Verify the power supply settings before applying power!

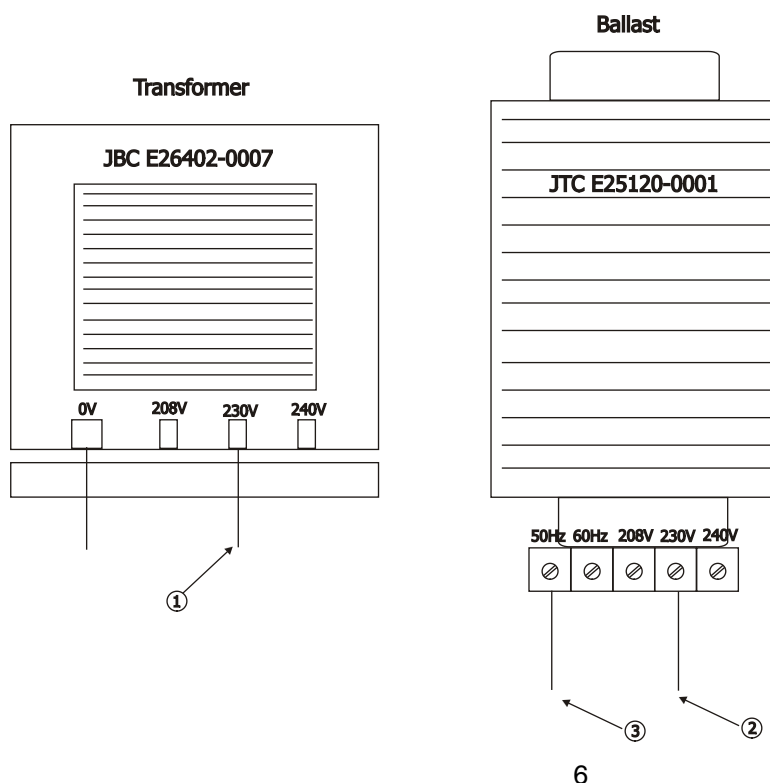
If you wish to change the power supply settings, see the chapter below.

4.2 Changing the power supply setting

Both the transformer and the ballast must be connected correctly for the local AC voltage and frequency. The wrong settings can cause poor performance or damage of the moving head. The factory settings are printed next to the power switch.

If you want to change the power supply settings, follow the instructions:

1. Disconnect the fixture from AC power.
2. Remove the top base cover (closest to the power cord) by loosening the 9 screws.
3. Move the wire 1 on the transformer connection block to the position according to the desired voltage.
4. Move the wires 2 and 3 on the ballast connection block to the position according to the desired voltage (frequency).
5. Close the base before applying AC power.

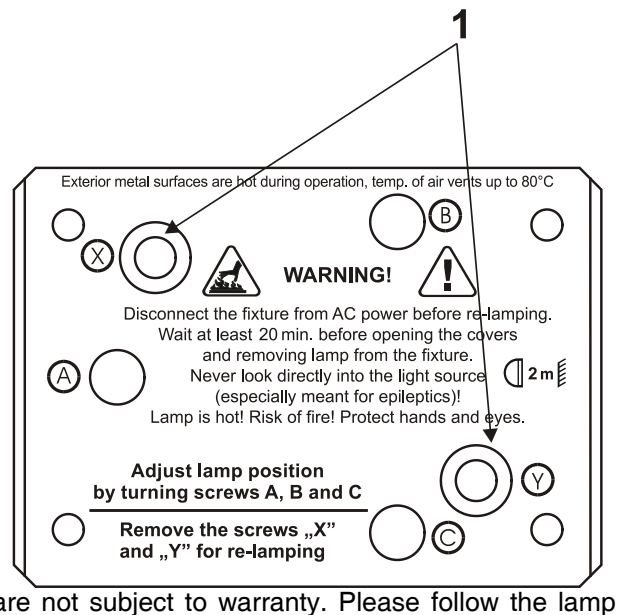


4.3 Installing the lamp

**DANGER ! Install the lamp with the device switched off only.
Unplug from mains before !**

To insert the new lamp.

1. Disconnect the fixture from power and allow it to cool at least 15 minutes.
2. Make sure that the fixture's head is in the position as shown on the picture (notices on the lamp cover are in readable position) .Loosen the two quarter-turn fasteners (1) marked "X,Y" on the lamp cover to open this cover.
3. Holding the lamp by its ceramic base, carefully turn the lamp to the left to loosen the lamp from the lamp holder.
Gently pull the lamp out of the lamp holder
4. Holding the new lamp by its ceramics base, gently insert the lamp to the lamp socket and turn the base to the right. Make sure that the lamp is installed tightly into the lamp socket.
Do not install a lamp with a higher wattage! A lamp like this generates temperatures the device is not designed for. Damages caused by non-observance are not subject to warranty. Please follow the lamp manufacturer's notes! Do not touch the glass bulb bare hand during the installation!
5. Re-insert the lamp cover and tighten the two quarter-turn fasteners (1).
6. Switch on the fixture.
7. Align the lamp (see instructions below)
8. Reset the "LA.ti." and "LA.St" counters in the menu "InFo".



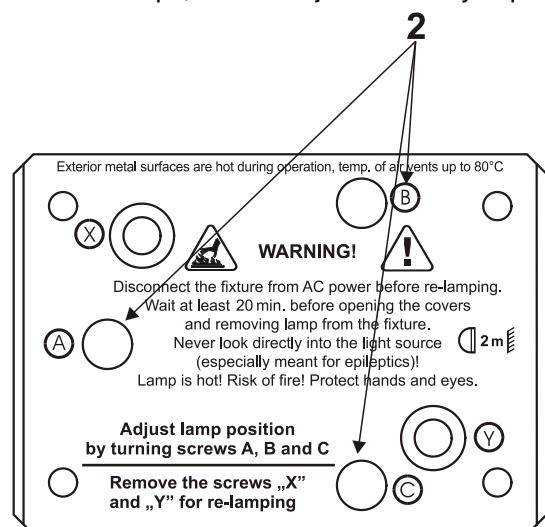
Do not operate this fixture with open lamp cover!

4.3 Lamp adjustment

The lamp holder is aligned at the factory. Due to differences between lamps, the fine adjustment may improve light performance:

To adjust the lamp in the fixture.

1. Switch on the fixture and after its reset turn on the lamp.
2. Go to the "SPEC." menu and select the item "LA.Ad." to project the light beam on the wall.
3. Use items in this menu to focus the light beam on the wall .
3. Turn adjustment screws marked "A, B, C" (2) one after another until you reach a max.light output.
4. Center the hot-spot (the brightest part of the beam) using these 3 adjustment screws.



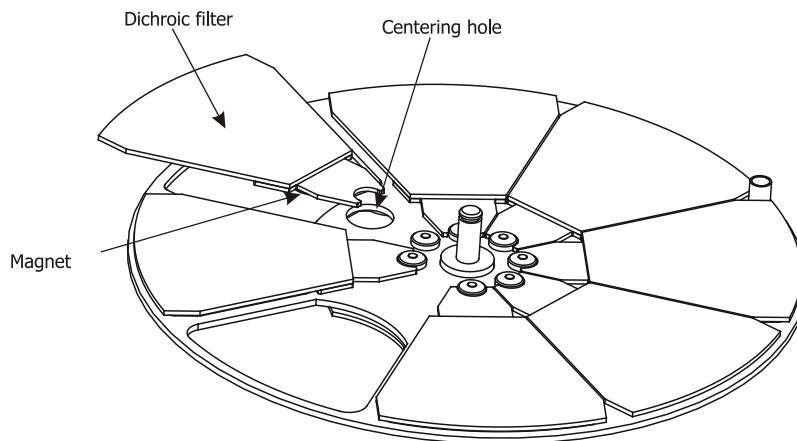
4.4 Replacing the colour filters and gobos

DANGER!

**Install the colour filters or gobos with the device switched off only.
Unplug from mains before!**

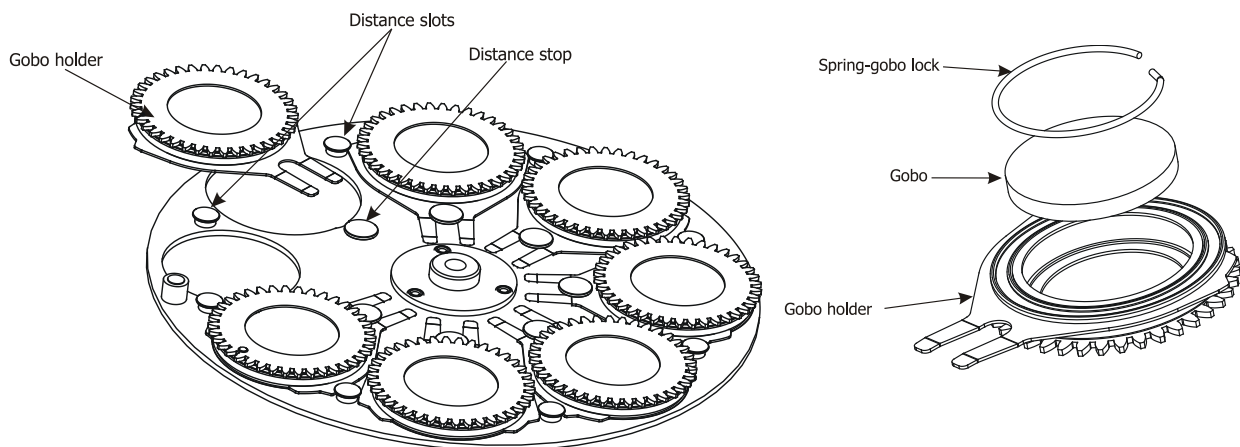
Colour filters

1. Disconnect the fixture from mains and allow it to cool.
2. Remove the top plastic cover of the head by loosening the 4 quarter-turn fasteners on the cover.
3. Turn the colour wheel to the desired position. The dichroic filters are fixed on the colour wheel by the magnets.
4. Release the dichroic filter from the colour wheel by inclining it from its position to break the power of the magnet. Protect the glass filter with a piece of paper or cloth.
5. Insert a new dichroic filter into the colour wheel.
6. Place the top cover back before applying power.



Rotating gobos

1. Disconnect the fixture from mains and allow it to cool.
2. Remove the bottom plastic cover of the head by loosening the 4 quarter-turn fasteners on the cover.
3. Gently pull up the gobo holder from the rotating gobo wheel.
4. Remove the spring gobo-lock with an appropriate tool (e.g. small-bladed screwdriver) and remove it. Do not touch the surface of the pattern of the glass gobo.
5. Remove the original gobo and insert the new one (glazy side towards the lamp). Insert the spring-gobo lock to secure it in the gobo holder.
6. Insert the gobo holder back under the distance slots into rotating gobo wheel.
5. Replace the bottom cover before applying power.



4.5 Rigging the fixture

The installation of the fixture has to be built and constructed in a way that it can hold 10 times the weight for 1 hour without any harming deformation.

The installation must always be secured with a secondary safety attachment, e.g. an appropriate catch net. This secondary safety attachment must be constructed in a way that no part of the installation can fall down if the main attachment fails.

When rigging, derigging or servicing the fixture staying in the area below the installation place, on bridges, under high working places and other endangered areas is forbidden.

The operator has to make sure that safety-relating and machine-technical installations are approved by an expert before taking into operation for the first time and after changes before taking into operation another time.

The operator has to make sure that safety-relating and machine-technical installations are approved by an expert after every four year in the course of an acceptance test.

The operator has to make sure that safety-relating and machine-technical installations are approved by a skilled person once a year.

The projector should be installed outside areas where persons may walk by or be seated.

IMPORTANT! OVERHEAD RIGGING REQUIRES EXTENSIVE EXPERIENCE, including (but not limited to) calculating working load limits, installation material being used, and periodic safety inspection of all installation material and the fixture. If you lack these qualifications, do not attempt the installation yourself, but instead use a professional structural rigger. Improper installation can result in bodily injury or damage to property.

The fixture has to be installed out of the reach of people.

If the fixture shall be lowered from the ceiling or high joists, professional trussing systems have to be used. The fixture must never be fixed swinging freely in the room.

Caution: Fixtures may cause severe injuries when crashing down! If you have doubts concerning the safety of a possible installation, do not install the moving head!

Before rigging make sure that the installation area can hold a minimum point load of 10 times the fixture's weight.

Danger of fire !
When installing the device, make sure there is no highly inflammable material (decoration articles, etc.) in a distance of min. 1 m.

CAUTION!
Use 2 appropriate clamps to rig the fixture on the truss.
Follow the instructions mentioned at the bottom of the base.
Make sure that the device is fixed properly! Ensure that the structure (truss) to which you are attaching the fixtures is secure.

The fixture can be placed directly on the stage floor or rigged in any orientation on a truss without altering its operation characteristics .

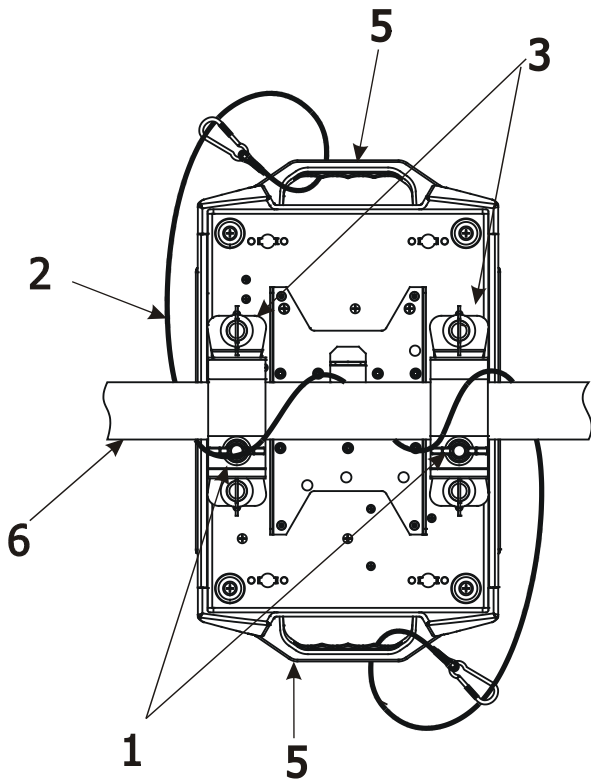
For securing a fixture to the truss install a safety wire that can hold at least 10 times the weight of the fixture. Use only safety wire with screw-on carabine. Pull the safety wire through the carrying handles and around the truss as shown on the pictures below.

Note: If the safety wire is too long, whip it several times around the trusses in order to attach the fixture tight. In case of an accident, the way of the falling fixture will be short.

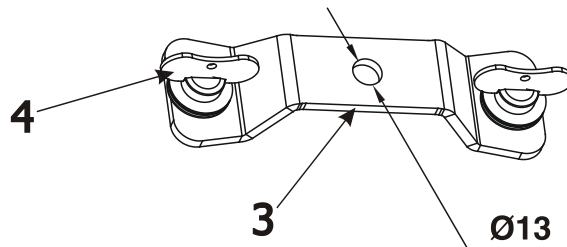
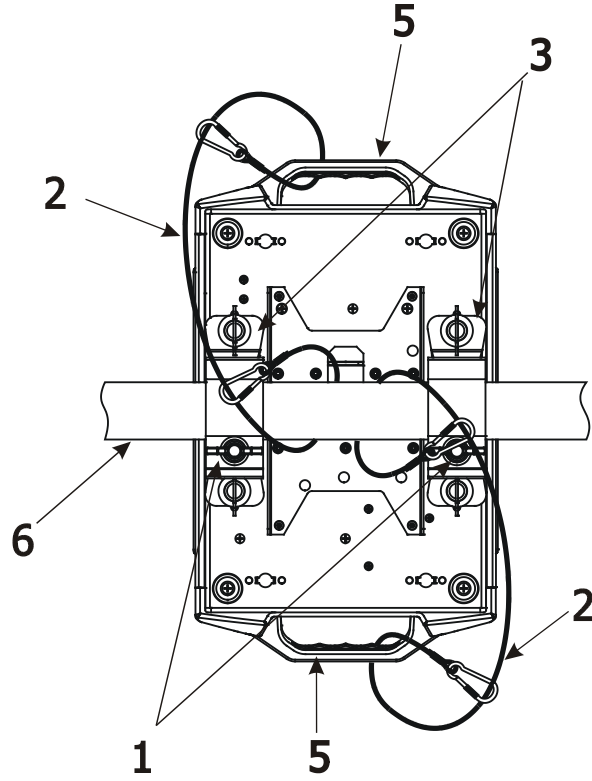
Truss installation

1. Bolt each clamp (1) to the omega holder (3) with M12 bolt and lock nut through the hole in the holder.
2. Fasten the omega holders on the bottom of the base by inserting both quick-lock fasteners (4) into the holes of the base and tighten fully clockwise.
3. Pull the safety wire (2) through the carrying handles (5) and around the truss (6) as shown on the pictures below.

Securing the fixture via one safety wire



Securing the fixture via two safety wires



- 1-Clamps
- 2-Safety wire
- 3-Omega holder
- 4-Quick-lock fastener
- 5-Carrying handles
- 6-Truss

**When installing fixtures side-by-side,
avoid illuminating one fixture with another!**

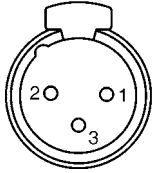
DANGER TO LIFE!
**Before taking into operation for the first time, the installation has to be approved by
an expert!**

4.6 DMX-512 connection

The fixture is equipped with 3-pin XLR sockets for DMX input and output. The sockets are wired in parallel. Only use a shielded twisted-pair cable designed for RS-485 and 3-pin XLR-plugs and connectors in order to connect the controller with the fixture or one fixture with another.

DMX - output

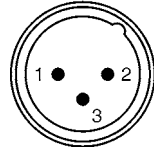
XLR mounting-sockets (rear view):



- 1 - Shield
- 2 - Signal (-)
- 3 - Signal (+)

DMX-input

XLR mounting-plugs (rear view):

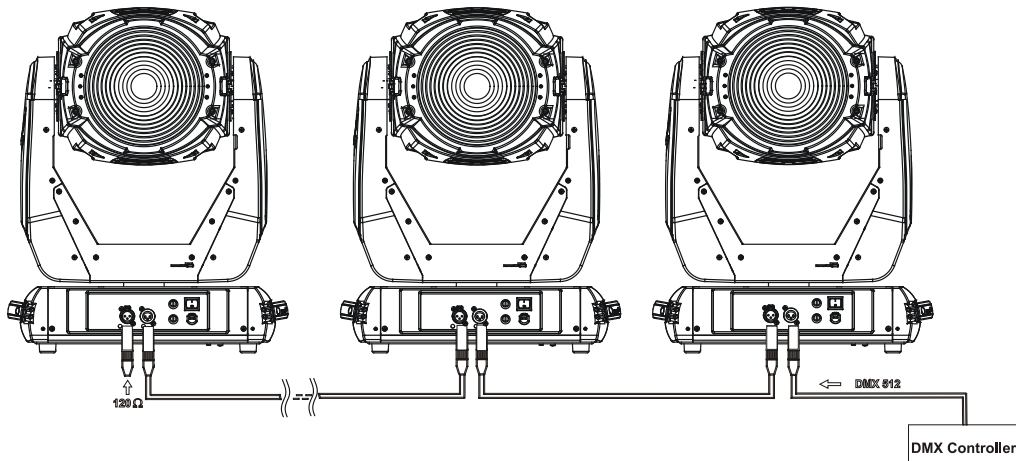


- 1 - Shield
- 2 - Signal (-)
- 3 - Signal (+)

If you are using the standard DMX controllers, you can connect the DMX output of the controller directly with the DMX input of the first fixture in the DMX chain. If you wish to connect DMX controllers with other XLR-outputs, you need to use adapter cables.

Building a serial DMX-chain:

Connect the DMX-output of the first fixture in the DMX-chain with the DMX-input of the next fixture. Always



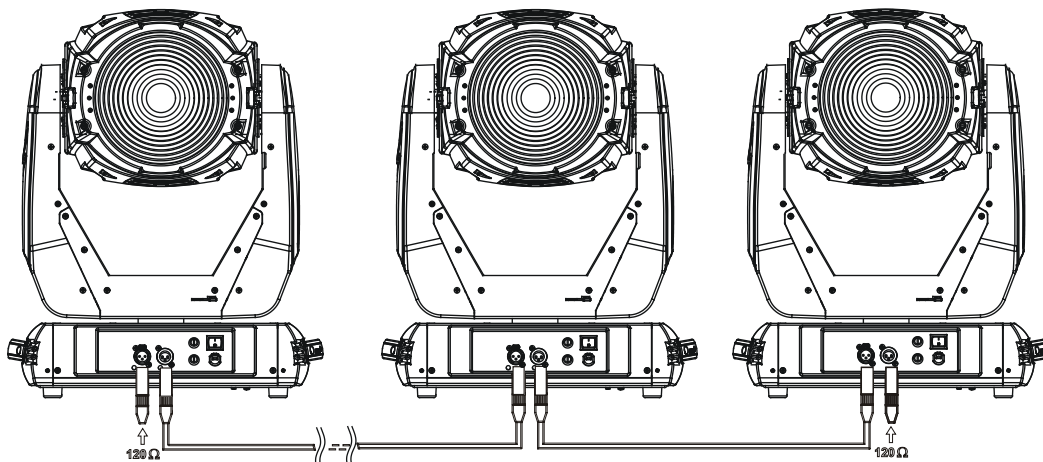
connect one output with the input of the next fixture until all fixtures are connected.

Caution: At the last fixture, the DMX-cable has to be terminated with a terminator. Solder a 120 Ω resistor between Signal (-) and Signal (+) into a 3-pin XLR-plug and plug it in the DMX-output of the last fixture.

Building a master/slave-chain:

Connect the DMX-output of the master fixture in the data-chain with the DMX-input of the first slave. Always connect output with the input of the next slave until all slaves are connected (up to 9 fixtures).

Caution: It's necessary to insert the XLR termination plug (with 120 Ohm) into the input of the master fixture and into the output of the last slave fixture in the link in order to ensure proper transmission on the data link.



4.7 Stand-alone operation

The fixtures on a data link are not connected to the controller but can execute pre-set programs which can be different for every fixture. To set the program to be played, see the „Stand-alone setting” (menu „**St.AL.**”).

„Stand-alone operation” can be applied to the single fixture (the fixture may be set to the master/slave mode) or to multiple fixtures operating synchronously.

Synchronous operation of multiple fixtures requires that they must be connected on a data link and one of them is set as a master (master mode) and the rest as the slaves (slave mode). To set the fixture as the master or slave, see the „Fixture address” (menu „**A001**”).

If the master fixture runs a reset, switches On/Off the lamp or plays test (program), all slaves will execute these acts too (e.g. if the master fixture has switched the lamp off, no slaves can switch the lamp on)

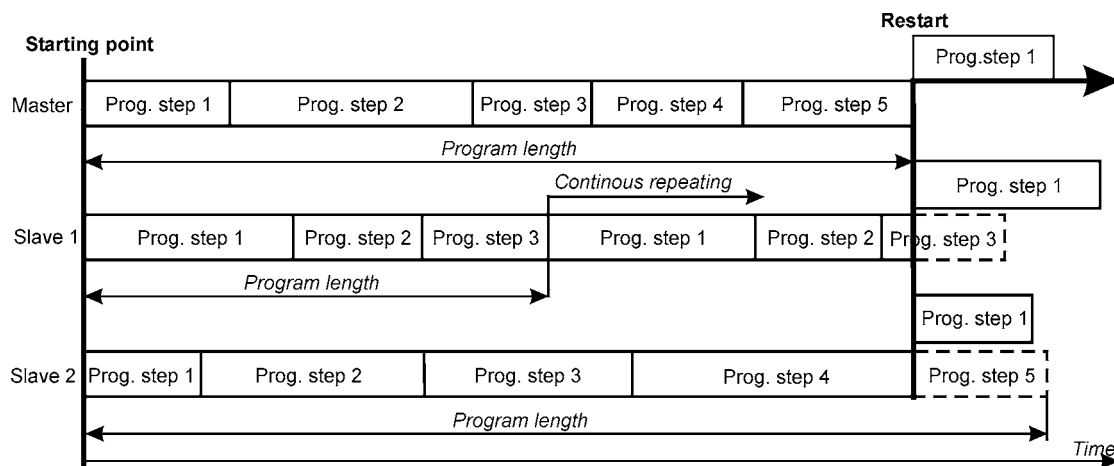
The master fixture starts simultaneous program start in the other slave fixtures. All fixtures have a definite, synchronized starting point when playing back their programs. The number of running program is the same in all slaves and depends on the master’s choice (menu „**St.AL.**”). Every fixture runs its program repeatedly, starting the program step No. 1 when requested by the master.

For example:

If the slave fixture has a shorter program length, it will continuously repeat its program until the master fixture finishes its own program and restarts its program running (slave 1- prog. step 3 will not be finished).

If the slave fixture has a longer program length, it will restart at prog. step 1 before it completes all its prog. steps

(slave 2 - prog. step 5 will not be played)- see the picture below.



Note: Disconnect the fixtures from the DMX controller before master/slave operating, otherwise data collisions can occur and the fixtures will not work properly!

It's necessary to insert the XLR termination plug (with 120 Ohm) into the input of the master fixture and into the output of the last slave fixture in the data link in order to ensure proper transmission on the data link.

From the master's control panel is possible to control any slave in a master/slave chain.

5. Remotely controllable functions

Lamp

The Robin 300 Beam Classic is to be operated with a Philips MSR Gold 300/2 MiniFastFit .

Note: It is also important to note, that the discharge lamp is cold restrike types, that means, that they have to be cold before re-striking. For this reason, you have to wait 5 minutes after having switched the lamp off before you can switch it on again. If you try to switch on the lamp within 5 minutes after having switched it off, the Robin 300 Beam Classic will store this information and automatically ignite the lamp when the 5 minutes period has expired.

Colour wheel

This wheel contains 7 replaceable 'SLOT&LOCK' dichroic filters + open. The colour wheel can be positioned between two adjacent colours in any position. It is also possible to rotate the colour wheel continuously at different speeds ("Rainbow effect" in both directions).

Static gobo wheel

The static gobo wheel includes 4 metal gobos and 4 beam reducers. Gobo positioning and continual gobo positioning is available as well as a gobo-shake function.

Rotating gobo wheel

The rotating gobo wheel includes 7 gobos rotating in both directions, indexable, replaceable "SLOT&LOCK" glass gobos + open position. Gobo positioning and gobo selection speed is available as well as a gobo-shake function.

Frost

Frost module provides variable frost for fine frosting.

Focus

Motorized focus unit enables to focus the beam from approximately 7 meters to infinity.

Dimmer/Shutter unit

Smooth 0 - 100 % dimming is provided by the mechanical dimmer /shutter unit. This unit is also used for strobe effects with variable speed.

6. Control menu map

Default settings=**Bold print**

Level 1	Level 2	Level 3	Level 4	Level 5	Level 6
A001	dM.Ad.	001-512			
	MA.SL.	d.AbL			
		MASt.			
		SLA			
InFo	Po.ti.	totl			
		rSEt			
	La.ti.	totl			
		rSEt			
	LA.St.	totl			
		rSEt			
	Fil.t.	AL.PE.	10-300		
		EL.tl.			
	DM.In.	Pan	0-255		
		:			
		F.Dim	0-255		
	tEMP.	Cur.t.	boAr.		
		rSEt	HEAd		
		Hi.tE.			
	VErS	IC1			
		IC2			
		IC3			
		IC4			
PErS.	r.PAn.	On, Off			
	r.tilt	On, Off			
	dM.Pr.	Mod1			
		Mode 2			
		Mode 3			
	LA.Pr.	LA.Au.	On, Off		
		d.L.OF.	On , Off		
		d.M. On	On, Off		
		d.M.OF	On, Off		
		LA.dE	0-90		
	dISP.	d.On	Off, On		
		d.Int.	20...100		
		turn	Off , On		
	bL.Co.	Off , On			
	FEEd.	Off, On			
	Mi.SE.	1-10-20			
	FAn.S.	Auto , High			
	P.t.Mo.	ti.Mo., SP. Mo.			
	A.bLc	P.t. M.	On, Off		
		CoL.M.	On, Off		
		Gob.M.	On, Off		
	tEM.U.	°C, °F			
	In.Po.	PAn			
		:			
		F.dim			

Level 1	Level 2	Level 3	Level 4	Level 5	Level 6
		Stor			
	dF.SE.				
LAMP	Off, On				
MAn.M.	PrE.C.	PAn	PAn1...PAn		
		:			
		dimr	dim1...dim5		
	Man.C.	PAn			
		:			
		F.dim			
tEst	Mod.1	Pan	0-255		
		tilt	0-255		
		Foc.	0-255		
	Mod.2				
St.AL.	Audi	On, Off			
	Auto	Off			
		tEst			
		ProG.			
	PLAY	tEst			
		ProG			
	Edit	St.01	PAn	0-255	
		:	:		
		St.50	S.tim.	0-25.5	
			COPY		
RESE					
SPEC	LA.Ad.	PAn	:		
		tILt			
		Foc.			
	rdML				
	rdMH				
	Adj.	DMH	PAn	0-255	
			:		
			F.dinr	0-255	
		CAL.u.	PAn	0-255	
			:	0-255	
			Stor.		
	UPd.				

7. Control menu

The control panel situated on the front panel of the base offers several features. You can simply set the DMX address, read the number of the lamp or unit hours, switch On and Off the lamp, run test, make a reset and also use many functions for setting fixture behaviour.

Control elements on the control board:

[MODE] button-leaves menu without saving changes.

[ENTER] button- enters menu, confirms adjusted values and leaves menu.

[UP] button and [DOWN] button- moves between menu items on the the same level, sets values.

After switching the fixture on, the display shows the initial screen:



Use [UP], [DOWN] to browse through the menu. To select a function or submenu, press [ENTER].



7.1 Fixture Address

Use this menu to set the DMX address of the fixture or set the fixture as a Master (Slave).

dM.Ad. - **DMX addressing.** Select this submenu to set DMX start address.

MA.SL. - **Master/slave addressing.** Select this submenu to set the fixture as a Master or Slave.
Option „d.AbL” deactivates master/slave setting.



7.2 Fixture informations

Use this menu to read an useful information about the fixture.

Po.ti. - **Power on time.** Select this submenu to read the number of operation hours.

totL - The function shows the total number of the operation hours since the Robin 300 Beam Classic has been fabricated.

rSEt - The function shows the number of the operation hours that the Robin 300 Beam Classic has been powered on since the counter was last reset. In order to reset this counter to 0 you have to hold [UP] and [DOWN] and press the [ENTER].

La.ti. - **Lamp on time.** Select this submenu to read the number of the operation hours with the lamp on.

totL - The function shows the total number of the operation hours with the lamp on since the Robin 300 Beam Classic has been fabricated.

rSEt - The function shows the number of the operation hours with the lamp on that the Robin 300 Beam Classic has been powered on since the counter was last reset. In order to reset this counter to 0 you have to hold [UP] and [DOWN] and press the [ENTER].

LA.St. - **Lamp strikes.** Select this submenu to read the total number of the lamp strikes.

totL - The function shows the total number of the lamp strikes since the Robin 300 Beam Classic has been fabricated.

rSEt - The function shows the number of the lamp strikes since the counter was last reset. In order to reset this counter to 0 you have to hold [UP] and [DOWN] and press the [ENTER].

FiLt - **Filters.** Regular cleaning of the air filters is very important for the fixture's life and performance.

Cumulation of dust, dirt and fog fluid residues reduces the fixture's light output and cooling ability.

The two items of this menu help you to keep cleaning period of the air filters.

AL.PE. - Set alert period - cleaning schedule for the fixture depends on the operating environment.

It is therefore impossible to specify accurate cleaning interval. This function allows you to change the cleaning interval of the air filters. This "alert" value is 300 hours and it is set as default. Inspect the fixture within its 300 hours of operation to see whether cleaning is necessary. If cleaning is required, clean all air filters and change the value in this menu on acceptable level. Min. level of alert period is 10 hours, max. is 300 hours.

EL.ti. - Elapsed time - the option allows you to read the time which remains to cleaning air filters.

The time period is set in the menu mentioned above.

Expired time period is signalized by the message "FiLt" on display.

Clean the filters and reset this menu item (press and hold the [UP] and [DOWN] buttons and at the same time press the [ENTER]).

tEMP - Fixture temperatures. Select this submenu to read the fixture temperatures (°C). Please note that the outside temperature should not exceed 45° C.

Cur.t. - Current fixture temperatures.

boAr. - Current temperature in the fixture base

HEAd - Current temperature of the head inside.

Hi.tE. - **Maximum fixture temperatures.**

boAr. - The function shows the max. temperature in the fixture base since the Robin 300 Beam Classic has been fabricated.

HEAd - The function shows the max.temperature of the head inside since the Robin 300 Beam Classic has been fabricated.

rSEt - **Maximum resetable temperatures.**

boAr. - The function shows the maximum temperature in the fixture base since the counter was last reset. In order to reset the counter to 0 you have to hold **[UP]** and **[DOWN]** and press the **[ENTER]**.

HEAd - The function shows the maximum temperature of the head inside since the counter was last reset. In order to reset the counter to 0 you have to hold **[UP]** and **[DOWN]** and press the **[ENTER]**.

DM.In. - **Readout of DMX values.** Select this function to read DMX values (0-255) of each channel received by the fixture.

PAn a coarse pan movement

F.PAn a fine pan movement

tilt a coarse tilt movement

F.tilt a fine tilt movement

Spd a pan/tilt speed

Func. a special function

Colo a colour wheel

F.CoL. a fine colour wheel

E.SPd. an effect speed

S.Gob. a colour -gobo wheel

F.S.Go. a fine colour -gobo wheel

r.Gob. a rotating gobo wheel

G.rot. a gobo indexing and rotation

F.G.ro. a fine gobo indexing

FroS. a frost

Foc. a focus

F.Foc. a fine focus

Stro. a shutter,stroke

dinr a dimmer

F.din. a fine dimmer

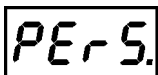
VERs. - **Software version.** Select this function to read the software version of processors:

IC1 - Pan/tilt processor

IC2 - EEPROM

IC3. - Strobe/colour/stat. gobos processor

IC4. - Rot. gobos/frost/focus processor



7.3 Personality

Use this menu to to modify Robin 300 Beam Classic operating behavior.

r.PAn - **Pan reverse.**Select this function to invert the pan movement.

r.tilt - **Tilt reverse.** Select this function to invert the tilt movement.

DM.Pr. - **DMX presetting.** Select this function to set desired channels setting. Please refer to the „DMX protocol” for detail description.

LA.Pr. - **Lamp presetting.** Select this menu to change the lamp „behaviour”.

LA.Au. - Select this function to turn the lamp on automatically after switching the fixture on.

d.L.OF. - Select this function to switch off the lamp via DMX.

dM.On - This function allows you to strike the lamp automatically after 26 seconds if DMX signal is present on the data link. If the ignition is unsuccessful (e.g.lamp is too hot), the fixture will try to ignite the lamp after next 26 s.This process will repeat until the lamp lights.

dM.OF. - This function allows you to switch Off the lamp automatically after 2 minutes if DMX signal is missing on the data link.

LA.dE. - Lamp ignition delay. This function allows you to set the time delay (0-90s) before the lamp will be ignited. This setting will not affect starting the lamp directly from the control panel (menu „Lamp On/Off”).

LA.Sn. - Switching on/off the lamp light sensor. Select this function to switch the lamp light sensor on or off. The option „On” is for standard operation.

DiSP. - Display adjusting. This function allows you to change the display settings.

turn - Select this function to turn the display by 180°.

d.On - This function allows you to keep the display on or to turn off automatically 2 minutes after last pressing any button on the control panel.

d.Int. - Select this function to adjust the display intensity (20-min.,100-max.).

A.bLc. - Automatic blackout. Use this function if you wish to close the light output during effect changes.

P.t.M. - This function closes the light output during pan/tilt changes.

Col.M. - This function closes the light output during colour wheel moving.

Go.Mo. - This function closes the light output during colour-gobo wheel or rot. gobo wheel moving.

bL.Co. - Blackout during movement correction. Select this function to enable the blackout during the head movement correction (if the moving head lost its correct pan/tilt position for a short moment).

FEEd - Pan/Tilt feedback. This function allows to return the moving head to the required pan/tilt position after changing the position by external force (e.g.by stroke).

Be careful, the Pan/Tilt Feedback OFF is not suitable for standard operation and the head of the fixture can be damaged!

Mi.SE. - Microphone sensitivity. Select this function to adjust the microphone sensitivity from 1 (maximum) to 20 (minimum). If the sensitivity is correctly adjusted, the upper segment of the first digit blinks in the bass beats.

Fan.S. - Fan speed operating modes. By using this function you can choose 2 types of the fan speed operating modes.

Auto - The fans automatically raise their speed in order to control inside temperature of the head, if the temperature inside increases about certain level (the low fan speed reduces the cooling of the lighting). This cycle can repeat several times until the temperature inside is on a suitable level.

HIGH - The cooling fans work on max. speed (max. cooling). This mode we recommend for high ambient temperature (35°C and more).

P.t.Mo. - Pan/tilt movement mode. Use this menu to set the character of the pan/tilt movement.

ti.Mo. - Time mode. Pan and tilt will move with different speeds and they will come at the same time to end point (pan and tilt sets its optimal speed).

SP.Mo. - Speed mode. Pan and tilt will move with the same speed as adjusted by the channel 5 (Pan/Tilt speed). E.g. pan will come to the end point and wait for tilt, which has longer track.

In.Po. - Init effect positions. Select this function to adjust all effects to the desired initial positions. After switching the fixture on (if DMX is not connected), all effects will move to initial positions. Use the [UP] and [DOWN] buttons to select desired channel and press [ENTER]. Set the effect to the desired position using [UP] and [DOWN] buttons and confirm by pressing [ENTER]. After having adjusted all effects, select „Stor.” to save all initial values to the memory.

dF.SE. - Default Settings. Select this option to reset all fixture personalities to the default values.

LAMP

7.4 Lamp On/Off

Use this option in order to switch on/off the lamp. It is also important to note, that the lamp is cold restrike type, that means, that it has to be cold before striking.

MAN

7.5 Manual mode

Select this menu to call up presetted positions of channel effects or direct control channel effects.

PrE.C. - Presetted effect control. Select this menu to call up presetted positions of the channel effects.

Man.C. - Manual effect control. Select this menu to control effects by the control buttons on the control board.

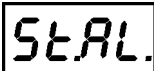


7.6 Test sequences

Use this menu to to run a special demo-test sequences without an external controller, which will show you some possibilities of using Robin 300 Beam Classic.

Mod. 1 - Mode 1. This mode is suitable for projections on the wall, ceiling or ground without any head movement.

Mod. 2 - Mode 2. This mode uses all Robin 300 Beam Classic functions including pan/tilt movement and therefore is good for a complete introduction of the fixture.



7.7 Stand-alone setting

Use this menu to set options for stand-alone mode as a presetting of playing program, programming and modifying program.

Audi - Music trigger. Select this function to enable the sound control of the running program via the built-in microphone.

Auto - Presetting playback. This function allows you to select the program which will be played in the stand-alone mode after switching the fixture on. Selected program will be played continuously in a loop.

d.Abl - The option disables „Auto” function.

tEst - The option will start built-in test program.

ProG - The option will start user- created program

PLAY - Playing program. Select this menu to run a user-created pgram in a loop.

tEst - The option starts built-in test program.

ProG - The option starts user -created program

Select the program you wish and press **[ENTER]**. The selected program starts running. By Pressing **[ENTER]** again is possible to pause the program running.

Edit - Editing program. Select this menu to edit or create the program. The Robin 300 Beam Classic has one built-in program and one user-editable program up to 50 steps. Each program step has a step time. Step time - the time, during which effects last in the current step.

To edit program:

Procedure:

1. Press **[UP]** or **[DOWN]** to select the menu "Edit" and press **[ENTER]**.
2. Press **[UP]** or **[DOWN]** to select the desired program step and press **[ENTER]**-button.
3. Press **[UP]** or **[DOWN]** to select the desired item and press **[ENTER]**-button. Now you can edit by **[UP]** or **[DOWN]** buttons the DMX value (0-255) for selected item:

P.End. a total number of the program steps (value 1-50).

This value you should be set before starting of programming (e.g. if you want to create program with the 10 steps, set P.End=10).

PAn a coarse pan movement

F.PAn a fine pan movement

tilt a coarse tilt movement

F.tilt a fine tilt movement

Spd a pan/tilt speed

Func. a special function

Colo a colour wheel

F.Col. a fine colour wheel

E.SPd. a effect speed

S.Gob. a colour -gobo wheel

S.Gob. a colour -gobo wheel

r.Gob. a rotating gobo wheel

S.tim. a step time, value 0,1-25.5 seconds

COPY a copying the current prog. step to the next prog. step. If the last prog. step is copied to the next prog. step, parameter „P.End” is increased about one automatically(except step 50).

G.rot. a gobo indexing and rotation

F.G.ro. a fine gobo indexing

FroS. a frost

Foc. a focus

F.Foc. a fine focus

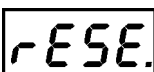
Stro. a shutter, strobe

dinr a dimmer

F.din. a fine dimmer

4. Press **[ENTER]**-button to confirm adjusted value .

5. Press **[MODE]**-button, select next prog. step and repeat this procedure (steps 3 - 5).



7.8 Reset functions

This option enables the Robin 300 Beam Classic to index all effects and return to their standard positions.

SPEC. 7.9 Special functions

Use this menu for special services like adjusting lamp or adjusting effects.

LA.Ad. - Lamp adjustment. This function can be used when you make the fine adjustment of the lamp. If you select this function, all effects will be canceled, shutter will be opened and the dimmer intensity will be set at 100%. By using the options „**PAn, tilt, Foc.**” you can focus the light on a flat surface (wall) and perform the fine lamp adjustment.

rdML --- Code. This menu item shows the first part of the RDM identification code.

rdMH --- Code. This menu item shows the second part of the RDM identification code.

Adj. - Effect adjustment. By this menu you can calibrate and adjust the effects to their standard/right positions.

dMH - Use the menu to set all effects to desired positions.

CAL.u - Use the menu to perform fine calibration of effects.

1. Calibration via the control board

Disconnect DMX controller from the fixture. Press **[ENTER]** and use **[UP]** and **[DOWN]** in order to display the following items: "**PAn, tiLt, Colo., S.Gob., rGob., G.rot., Foc,din1, din2, Stor.**” for very smooth function calibration. Select one of them, press **[ENTER]** and use the **[UP]** and **[DOWN]** in order to adjust their right value from 0 to 255. Then press **[ENTER]** to confirm or **[MODE]** to cancel and return to the menu. This can be repeated for each calibration parameter if it is required. When the calibration is finished, it is necessary to use the „**Stor**” item in order to write the calibration values to the memory (EPROM) and to make a reset in order to check the newly adjusted positions of the calibrated effects.

2. Calibration via the external controller

Connect the DMX controller to the fixture, press **[ENTER]** and the **[UP]** and **[DOWN]** buttons in order to display the following items: "**PAn, tiLt, Colo., S.Gob., rGob., G.rot., Foc,din1, din2, Stor.**”. Select one of them and press **[ENTER]**.

Now you can calibrate this effect by your controller. The DMX calibration protocol is described in the table mentioned below.

DMX calibration protocols:

Effect	Mode 1	Mode 2	Mode 3
"Pan"- pan movement	channel 21	channel 16	channel 14
„tiLt"- tilt movement	channel 22	channel 17	channel 15
„Colo."-colour wheel	channel 23	channel 18	channel 16
„S.Gob."- static gobo wheel	channel 24	channel 19	channel 17
„r.Gob." - rot. gobo wheel	channel 25	channel 20	channel 18
„G.rot." - gobo rotation	channel 26	channel 21	channel 19
„Foc." - focus	channel 27	channel 22	channel 20
„din1"- Dimmer lamella 1	channel 28	channel 23	channel 21
„din2"- Dimmer lamella 2	channel 29	channel 24	channel 22

After having calibrated required effects, use the "**Stor.**” item in order to write the calibration values to the memory (EEPROM) and to make a reset of the fixture.

uPd - Updating mode. The menu item allows you to update software in the fixture via either serial or USB port of PC.

The following are required in order to update software:

- PC running Windows 95/98/2000/XP or Linux
- DMX Software Uploader
- Flash cable RS232/DMX No.13050624 (if you want to use a serial port of PC)
- Robe Universal Interface (if you want to use an USB port of PC)

Note1: Software update should execute a qualified person. If you lack qualification, do not attempt the update

yourself and ask for help your ROBE distributor.

Note 2: DMX address, programs and all items in the menu "PErS" will be set to their default values.

To update software in the fixture:

I. Installation of the DMX Software Uploader.

1. DMX Software Uploader program is available from the ROBE web site at WWW.robe.cz.
2. Make a new directory (e.g. Robe_Uploader) on your hard disk and download the software to it.
3. Unpack the program from the archive.

II. Fixture software updating.

1. Determine which of your ports is available on your PC and connect it:
 - with the DMX input of the fixture if you using the flash cable RS232/DMX
 - with the DMX input of the Robe Universal Interface if you using the USB cable.

Disconnect the fixture from the other fixtures in a DMX chain. Turn both the computer and the fixture on. Make sure the lamp is switched off (only if the fixture involves a lamp).

2. Switch the fixture to the updating mode:
 - 1 Use the UP/DOWN buttons to find "SPEC." menu.
 - 2 Press the ENTER button.
 - 3 Use the UP/DOWN buttons to select "uPd." item.
 - 4 Press the ENTER button
 - 5 Use the UP/DOWN buttons to select "yES" option
 - 6 Press the ENTER button

Note: If you do not want to continue in software update, you have to switch off and on the fixture to escape from this menu.

3. We recommend to cancel all running programs before start the Software Uploader.
4. Run the Software Uploader program. Select desired COM and then click on the Connect button.

If the connection is OK, click on the Start Uploading button to start uploading. It will take several minutes to perform software update. If the option "Incremental Update" is not checked, all processors will be updated (including processors with the same software version).

If you wish to update only later versions of processors, check the Incremental Update box.

Avoid interrupting the process. Update status is being displayed in the Info Box window.

When the update is finished, the line with the text "The fixture is successfully updated" will appear in this window and the fixture will reset with the new software.

8. Power down mode

This mode omits fixture reset after switching the fixture on and lowers motor powers of the fixture. „Power down mode” is useful in special cases e.g. if the fixture is in a flight case and you want to set its DMX address without taking it out from the case. To enter „Power down mode”, press and hold [UP] and [DOWN] and at the same time switch on the Power switch. The following message appears on the display: "P.d.Mo."

Now you can set features and behaviour of the fixture by using the control panel on fixture base.

If you want to go escape from this mode, run a fixture reset.

Note: All motors (except pan and tilt motors) in the „Power down mode” are deactivated and switching on the fixture lamp from the control panel is blocked.

9. RDM

This fixture is ready for RDM operation. RDM (Remote Device Management) is a bi-directional communications protocol for use in DMX512 control systems, it is the new open standard for DMX512 device configuration and status monitoring.

The RDM protocol allows data packets to be inserted into a DMX512 data stream without adversely affecting existing non-RDM equipment. By using a special „Start Code,” and by complying with the timing specifications for DMX512, the RDM protocol allows a console or dedicated RDM controller to send commands to and receive messages from specific moving lights.

RDM allows explicit commands to be sent to a device and responses to be received from it.

The list of commands for Robin 300 Beam Classic is the following.

Parameter ID	Discovery command	SET command	GET command
DISC_UNIQUE_BRANCH	*		
DISC_MUTE	*		
DISC_UN_MUTE	*		
DEVICE_INFO			*
SUPPORTED_PARAMETERS			*

SOFTWARE_VERSION_LABEL			*
DMX_START_ADDRESS		*	*
IDENTIFY_DEVICE		*	*
DEVICE_MODEL_DESCRIPTION			*
MANUFACTURER_LABEL			*
DEVICE_LABEL		*	*
SENSOR_DEFINITION			*
SENSOR_VALUE			*
DISPLAY_INVERT		*	*
DISPLAY_LEVEL		*	*
PAN_INVERT		*	*
TILT_INVERT		*	*
DEVICE_RESET		*	
DMX_PERSONALITY		*	*
DMX_PERSONALITY_DESCRIPTION			*
STATUS_MESSAGES			*
STATUS_ID_DESCRIPTION			*
LAMP_STATE		*	*
LAMP_ON_MODE ¹		*	*
DEVICE_HOURS ²			*
LAMP_HOURS ²			*
LAMP_STRIKES ²			*

¹...Another options for this command (only for Robe´s fixtures):

value PARAMETER_DATA=0x84 - lamp OFF by DMX value on DMX channel

value PARAMETER_DATA=0x88 - lamp OFF if DMX is not present

²...Commands relative resetable values

10. Error and information messages

L.On.

This message appears if you try to switch on the lamp within 5 minutes after having switched it off (the lamp is too hot). The message will appear on the display if the lamp doesn't ignite within 20 seconds. The Robin 300 Beam Classic will store this information and automatically ignite the lamp when the 5 minutes period has expired.

Caution: The message is disabled if the lamp light sensor (function „En.Sn.“) is switched Off

LA.Er.

The ignition of the lamp was seven times unsuccessful and the display shows „LA.Er, meaning that the lamp could be damaged or even missed or there could be a failure on the ignitor or ballast. Please place or replace the lamp, check the ambient temperature or contact your dealer if the situation was not caused by the lamp.

Caution: The message is disabled if the lamp light sensor (function „En.Sn.“) is switched Off.

Co.Er. (color-wheel error)

This message will appear after the reset of the fixture if the magnetic-indexing circuit malfunctions (sensor failed or magnet missing) or the stepping-motor is defective (or its driver circuit on the main PCB). The color wheel is not located in the default position after the reset.

r.G.Er. (rotating gobo-wheel error)

The message will appear after the reset of the fixture if the magnetic-indexing circuit malfunctions (sensor failed or magnet missing) or the stepping-motor is defective (or its driver circuit on the main PCB). The rotating gobo wheel is not located in the default position after the reset.

i.G.Er. (rotating gobo indexing error)

The message will appear after the reset of the fixture and if the magnetic-indexing circuit malfunctions (sensor failed or magnet missing) or the stepping-motor is defective (or its driver circuit on the main PCB). The rotating

gobo is not located in the default position after the reset.

S.G.Er. (static gobo-wheel error)

This message will appear after the reset of the fixture if the magnetic-indexing circuit malfunctions (sensor failed or magnet missing) or the stepping-motor is defective (or its driver circuit on the main PCB). The static gobowheel is not located in the default position after the reset.

Ft.Er.

This error message informs you that the fixture was overheating (occured if the ambient temperature is 45° C or more) and that the temperature sensor switched off the lamp.

Fr.Er.

This message will appear if the frequency of the main is not standard 50 or 60 Hz. This message can appear as a result of the interference during the lamp starting (if the lamp or igniter is old) or as a result of the interference by neighbouring devices. **In these cases the message does not affect the fixture operating!**

Sn.Er.

This message appears if the lamp lighting sensor is failed.

PoEr

This message will appear if the fixture was shortly disconnect from the main.

PA.Er. (Pan-yoke movement error)

This message will appear after the reset of the fixture if the yoke.s magnetic-indexing circuits malfunction (sensors failed or magnet missing) or the stepping motor is defective. (Or its driving IC on the main PCB). The yoke is not located in the default position after the reset.

ti.Er. (TILT-head movement error)

This message will appear after the reset of the fixture if the head.s magnetic-indexing circuit malfunctions (sensor failed or magnet missing) or the stepping motor is defective. (Or its driving IC on the main PCB). The head is not located in the default position after the reset.

MA.Er. (Master error)

The message informs you that the fixture was addressed as a master and DMX signal is connected to its input. Disconnect the DMX controller from fixture's input and address the fixture as the master again.

t.M.Er. (Temperature measuring error)

The message informs you that the communication between the head and the main board was cut off (or the head temperature sensor is defective) and the lamp was switched off.

11. Technical Specifications

Electrical:

Input voltage:..... 208/230/240V, 50/60Hz
Live Fuse:..... T 4 A @230V
Neutral Fuse:..... T 4 A @230V
Power consumption:.....430VA

Lamp:

Approved models: Philips : MSR Gold 300/2 MiniFastFit
Base:PGJX 28
Osram: HSD 300W80/P28 Lok-it
Base:PGJX 28

Ballast:

Magnetic

Optical System:

High luminous-efficiency glass reflector
zoom range: 6.5°-1.5°

Colour wheel:

7 replaceable 'SLOT&LOCK' dichroic filters (including UV filter)

Static gobo wheel:

4 metal gobos and 4 beam reducers
Gobo wheel continuous rotation

Rotating gobo wheel:

7 glass gobos can be indexed and rotated in both directions at different speeds
Gobo wheel continuous rotation
Glass gobos: outside diameter=26.8 mm, max. thickness=4 mm, high temperature borofloat or better glass
"Slot&lock" system for easy replacement of gobos

Focus:

Motorized focus from 7m to infinity

Strobe:

Strobe effect with variable speed (max.15 flashes/sec.)
Random strobe effects

Dimmer:

Smooth dimmer from 0 - 100 %

Electronics:

4-digit LED display for fixture setting and addressing
Readout fixture and lamp usage, receiving DMX values, temperatures, etc
Built-in analyzer for easy fault finding, error messages
Remotely switching on/off the lamp
Built-in demo sequences
Black-out while head moving, colour or gobo changing
Silent fans cooling,
Self-resetable thermo-fuse
Stand-alone operation
One user editable program up to 50 steps
Supported protocols: USITT DMX 512,RDM
Support of RDM (Remote Device Management)
3 DMX modes (20, 15, 13 control channels)

Pan/Tilt:

Pan movement range 540°
Tilt movement range 280°
16 bit movement resolution
Automatic Pan/Tilt position correction
Remotely controllable speed of pan/tilt movement for easy programming
Movement control: tracking and vector
Pan/tilt-lock mechanism

Rigging:

Mounting points: 2 pairs of 1/4-turn locks
Mounting horizontally or vertically via 2 Omega brackets

Temperatures:

Maximum ambient temperature : 45° C
Maximum housing temperature : 80° C

Minimum distances:

- Min. distance from flammable surfaces: 1 m
- Min. distance to lighted object: 5 m

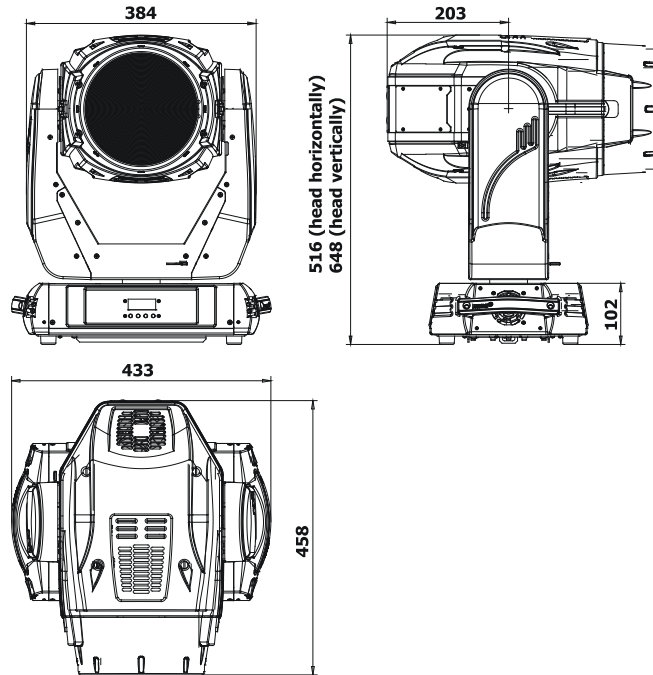
Total heat dissipation:

1510 BTU/h (calculated)

Weight (net):

22.4 kg

Dimensions (mm):



Accessories:

- Omega holder (No.99010420).....2 pcs

Optional Accessories:

- Flash cable RS232/DMX (No.13050624)

12. Maintenance and cleaning

It is absolutely essential that the fixture is kept clean and that dust, dirt and smoke-fluid residues must not build up on or within the fixture. Otherwise, the fixture's light-output will be significantly reduced. Regular cleaning will not only ensure the maximum light-output, but will also allow the fixture to function reliably throughout its life. A soft lint-free cloth moistened with any good glass cleaning fluid (except front objective lens) is recommended, under no circumstances should alcohol or solvents be used!

DANGER !
**Disconnect from the mains before starting any
maintenance work**

The front objective lens (plastic) will require monthly cleaning as smoke-fluid tends to building up residues, reducing the light-output very quickly. For its cleaning, use a dry clout or an air-jet only. Never use water or any other cleaning fluid. The cooling-fans should be cleaned monthly also.

The interior of the fixture should be cleaned at least annually using a vacuum-cleaner or an air-jet.

Dichroic colour filters, gobo wheels and the internal lenses should be cleaned monthly.

Remove dust and dirt from the fans and cooling vents using a soft brush and vacuum-cleaner.

**Important! Check the air filters periodically and clean before they become
clogged!**

Clean the air filters placed in the fixture's covers. Use a vacuum cleaner, compressed air or you can wash them and put back dry.

After replacing the air filters, reset the elapsed time counter in the menu "InFo" (InFo --->FILt---> EL.tl.).

13. ChangeLog

This section summarizes all types of changes in the user manual.

Version of the manual	Date of issue	Description of changes
1.6	24/09/2012	Chapter "Maintenance and cleaning", added notice: The front objective lens will require monthly cleaning as smoke-fluid tends to building up residues, reducing the light-output very quickly. For its cleaning, use a dry clout or an air-jet only
1.7	15/03/2013	Lamp Philips MSR Gold 300/2 MiniFastFit added to tech. specifications

*Specifications are subject to change without notice.
February 19, 2016*

DMX protocol

Robin 300 Beam Classic - DMX protocol, version 1.0						
Mode/channel			DMX Value	Function	Type of control	
1	2	3				
1	1	1		Pan		
			0 - 255	Pan movement by 540°	proportional	
2	2	*		Pan Fine		
			0 - 255	Fine control of pan movement	proportional	
3	3	2		Tilt		
			0 - 255	Tilt movement by 260°	proportional	
4	4	*		Tilt fine		
			0 - 255	Fine control of tilt movement	proportional	
5	5	3		Pan/Tilt speed , Pan/Tilt time		
			0	Max. speed (tracking mode)	step	
				<i>P./T. speed-set Speed Mode in menu: Pan/Tilt Mode</i>		
			1 - 255	Speed from max. to min. (vector mode)	proportional	
				<i>P./T. time - set Time Mode in menu: Pan/Tilt Mode</i>		
			1 - 255	Time from 0.1 s to 25.5 sec.	proportional	
6	6	4		Power/Special functions		
			0 - 49	Reserved		
				<i>To activate following junctions, stop in DMX value for at least 3 s and shutter must be closed at least 3 sec. („Shutter,Strobe“ channel 18/14/12 must be at range: 0-31 DMX). Corresponding menu items are temporarily overridden).</i>		
			50 - 59	Pan/Tilt speed mode	step	
			60 - 69	Pan/Tilt time mode	step	
			70 - 79	Blackout while pan/tilt moving	step	
			80 - 89	Disabled blackout while pan/tilt moving	step	
			90 - 99	Blackout while colour wheel moving	step	
			100 - 109	Disabled blackout while colour wheel moving	step	
			110 - 119	Blackout while gobo wheel moving	step	
			120-129	Disabled blackout while gobo wheel moving	step	
				<i>To activate following functions, stop in DMX value for at least 3 seconds.</i>		
			130 - 139	Lamp On,reset(total reset except pan/tilt reset)	step	
			140 - 149	Pan/Tilt reset	step	
			150 - 159	Colour system reset	step	
			160 - 169	Gobo wheels reset	step	
			170 - 179	Dimmer/Shutter reset	step	
			180 - 189	Focus/frost reset	step	
			190 - 199	Reserved		
			200 - 209	Total reset	step	
			210 - 229	Reserved		
			230 - 239	Lamp Off	step	
			240 - 255	Reserved		
7	7	5		Colour wheel		
				<i>Continual positioning</i>		
			0	Open/white	proportional	
			16	Deep red	proportional	
			32	Deep blue	proportional	
			48	Green	proportional	
			64	Amber	proportional	
			80	Magenta	proportional	

DMX protocol

Mode/channel			DMX Value	Function	Type of control
1	2	3			
			96	Yellow	proportional
			112	UV filter	proportional
			128-129	White	step
				<i>Positioning</i>	
			130-137	Deep red	step
			138-145	Deep blue	step
			146-153	Green	step
			154-163	Amber	step
			164-171	Magenta	step
			172-181	Yellow	step
			182-189	UV filter	step
			190 - 215	Forwards rainbow effect from fast to slow	proportional
			216 - 217	No rotation	step
			218 - 243	Backwards rainbow effect from slow to fast	proportional
			244 - 249	Random colour selection by audio control (Set microphone sensitivity in menu „Personality“)	step
			250 - 255	Auto random colour selection from fast to slow	proportional
8	*	*		Colour wheel - fine positioning	
			0 - 255	Fine positioning	proportional
9	8	6		Effect Speed	
			0 - 255	Speed of Rot. Gobo Selection from max. to min. (0-25.5sec.)	proportional
10	9	7		Static gobo wheel	
				<u>Continual Positioning</u>	
				<i>In range 0-64 DMX is possible fine gobo positioning - set value on channel 11</i>	
			0	Open/hole (6.5°)	proportional
			7	Beam reducer (5.5°)	proportional
			14	Beam reducer (4.5°)	proportional
			21	Beam reducer (3°)	proportional
			28	Beam reducer (1.5°)	proportional
			35	Gobo 1	proportional
			42	Gobo 2	proportional
			49	Gobo 3	proportional
			56	Gobo 4	proportional
			64	Open/hole	proportional
				<u>Positioning</u>	
			65 - 70	Beam reducer (5.5°)	step
			71 - 75	Beam reducer (4.5°)	step
			76 - 81	Beam reducer (3°)	step
			82 - 86	Beam reducer (1.5°)	step
			87 - 92	Gobo 1	step
			93 - 97	Gobo 2	step
			98 - 103	Gobo 3	step
			104 - 109	Gobo 4	step
				<u>Shaking gobos from slow to fast</u>	
			110 - 121	Beam reducer (5.5°)	proportional
			122 - 131	Beam reducer (4.5°)	proportional
			132 - 143	Beam reducer (3°)	proportional
			144- 153	Beam reducer (1.5°)	proportional
			154 - 165	Gobo 1	proportional

DMX protocol

Mode/channel			DMX Value	Function	Type of control
1	2	3			
			166 - 175	Gobo 2	proportional
			176 - 187	Gobo 3	proportional
			188 - 199	Gobo 4	proportional
			200 - 201	Open/hole	step
			202 - 221	Forwards gobo wheel rotation from fast to slow	proportional
			222 - 223	No rotation	
			224 - 243	Backwards gobo wheel rotation from slow to fast	proportional
			244 - 249	Random gobo selection by audio control	step
				<i>(Set microphone sensitivity in menu „Personality“)</i>	
			250 - 255	Auto random gobo selection from fast to slow	proportional
11	*	*		Static gobo wheel-fine	
			0 - 255	Fine positioning	proportional
12	10	8		Rotating gobo wheel	
				<i>In the range of 0-59 DMX the gobo selection speed is controlled by the Effect Speed channel.</i>	
				<i>Index - set indexing on channel 13/11/9</i>	
			0-3	Open/hole	step
			4-7	Gobo 1	step
			8-11	Gobo 2	step
			12-15	Gobo 3	step
			16-19	Gobo 4	step
			20-23	Gobo 5	step
			24-27	Gobo 6	step
			28-31	Gobo 7	step
				<i>Rotation - set rotation on channel 13/11/9</i>	
			32-35	Gobo 1	step
			36-39	Gobo 2	step
			40-43	Gobo 3	step
			44-47	Gobo 4	step
			48-51	Gobo 5	step
			52-55	Gobo 6	step
			56-59	Gobo 7	step
				<i>Shaking gobos from slow to fast</i>	
				<i>Index - set indexing on channel 13/11/9</i>	
			60 - 69	Gobo 1	proportional
			70 - 79	Gobo 2	proportional
			80 - 89	Gobo 3	proportional
			90 - 99	Gobo 4	proportional
			100 - 109	Gobo 5	proportional
			110 - 119	Gobo 6	proportional
			120 - 129	Gobo 7	proportional
				<i>Shaking gobos from slow to fast</i>	
				<i>Rotation - set rotation on channel 13/11/9</i>	
			130 - 139	Gobo 1	proportional
			140 - 149	Gobo 2	proportional
			150 - 159	Gobo 3	proportional
			160 - 169	Gobo 4	proportional
			170 - 179	Gobo 5	proportional
			180 - 189	Gobo 6	proportional
			190 - 199	Gobo 7	proportional

DMX protocol

Mode/channel			DMX Value	Function	Type of control
1	2	3			
			200 - 201	Open/hole	step
			202 - 221	Forwards gobo wheel rotation from fast to slow	proportional
			222 - 223	No rotation	step
			224 - 243	Backwards gobo wheel rotation from slow to fast	proportional
			244 - 249	Random gobo selection by audio control	step
				(Set microphone sensitivity in menu „Personality“)	
			250 - 255	Auto random gobo selection from fast to slow	proportional
13	11	9		Rot. gobo indexing and rotation	
				Gobo indexing - set position on channel 12/10/8	
			0 - 255	Gobo indexing	proportional
				Gobo rotation - set position on channel 12/10/8	
			0	No rotation	step
			1 - 127	Forwards gobo rotation from fast to slow	proportional
			128 - 129	No rotation	step
			130 - 255	Backwards gobo rotation from slow to fast	proportional
14	*	*		Rot. gobo indexing/rotation - fine	
			0-255	Fine indexing (rotation)	proportional
15	12	10		Frost	
			0	Open	step
			1 - 179	Frost from 0% to 100%	proportional
			180 - 189	100% frost	step
			190 - 211	Pulse closing from slow to fast	proportional
			212 - 233	Pulse opening from fast to slow	proportional
			234 - 255	Ramping from fast to slow	proportional
16	13	11		Focus	
			0 - 255	Continuous adjustment from far to near	proportional
17	*	*		Focus - fine	
			0- 255	Fine focusing	proportional
18	14	12		Shutter/ strobe	
			0 - 31	Shutter closed	step
			32 - 63	Shutter open	step
			64 - 95	Strobe-effect from slow to fast	proportional
			96 - 127	Shutter open	step
			128 - 143	Opening pulse in sequences from slow to fast	proportional
			144 - 159	Closing pulse in sequences from fast to slow	proportional
			160 - 191	Shutter open	step
			192 - 223	Random strobe-effect from slow to fast	proportional
			224 - 255	Shutter open	step
19	15	13		Dimmer intensity	
			0 - 255	Dimmer intensity from 0% to 100%	proportional
20	*	*		Dimmer intensity - fine	
			0 - 255	Fine dimming	proportional